



# PLANO CONVEX & FRESNEL Serenity®

**PC10, PCM10 & F10 1 000 / 1 200 W**

**PC20, PCM20 & F20 2 000 / 2 500 W**



Plano convex and Fresnel RVE spotlights are simply the most practical:

- Safe
- User friendly
- Easy to maintain

#### **Innovative design**

- Automatic disconnection before the lamp changing
- Robust yoke
- Position quickly locked by an ergonomic handle
- Fast interchangeable lens capability (see kit references on the back)
- Shape allowing an easy stocking and transport

#### **An exceptional quality of light**

- High quality clear, pebble or Fresnel lens
- Focus adjustment with a rear helicoidal mechanism
- Lamp holder allowing a stable lamp position

#### **Easy handling**

- Small and light
- Exclusive rear access allowing a sure and easy lamp changing and lense cleaning
- "One hand" lamp changing
- Frame holder with safety grid

The best name in spotlights is now **Serenity** !

**STENGER - TECHNIK - Ihr Partner für Licht!**

**ING. STENGER** • ELEKTROTECHNISCHE UND BÜHNENBELEUCHTUNGSGERÄTE GES.M.B.H.  
Sebastianplatz 2  
A - 1030 Wien  
Tel.: +43 / 1 / 712 45 99 - 0  
Fax: +43 / 1 / 712 45 99 - 10  
Mail: [office@stenger-technik.com](mailto:office@stenger-technik.com)

[www.stenger-technik.com](http://www.stenger-technik.com)

## TECHNICAL SPECIFICATIONS

	PC10	PC20
Lamps	GX9,5 1000W CP24/CP70 GX9,5 1200W CP90	G22 2000W CP75/CP92 G22 2500W CP91
Bipolar micro switch for disconnection	Yes	Yes
Polished aluminium reflector	Yes	Yes
Lens diameter	150 mm	200 mm
Size of accessories	180 x 180 mm or 185 x 185 mm	215 x 215 mm
Accessory holder: 3 slots, with closing	Yes	Yes
3 x 1,5 mm <sup>2</sup> cable	Without connector, crimped terminals	Without connector, crimped terminals
Safety grid	Ref 2859 included	Ref 2922 included
Filter holder	Ref 2801 included	Ref 2924 included
Beam angles	10°/64°	12°/70°
Weight	7,1 to 7,5 kg according to lens type	9,7 to 10,6 kg according to lens type

## OPTICAL CHARACTERISTICS

Clear lens		Angles		Angle: 17°		
Spot	Lamp	Small angle	Wide angle	Distance	Diameter	Illumination
PC10	1 000 W	10°	74°	10 m	3 m	520 lux
PC10	1 200 W	10°	74°	10 m	3 m	585 lux
PC20	2 000 W	12°	70°	10 m	3 m	1005 lux
PC20	2 500 W	12°	70°	10 m	3 m	1210 lux
Pebble lens		Narrow beam about 8°/10°		Wide beam about 60°/65°		
Spot	Lamp	Illumination (lux)		Illumination (lux)		
PCM10	1 000 W	1910		150		
PCM10	1 200 W	2300		185		
PCM20	2 000 W	3850		195		
PCM20	2 500 W	4750		375		
Fresnel lens		Narrow beam about 8°/10°		Wide beam about 60°/65°		
Spot	Lamp	Illumination (lux)		Illumination (lux)		
F10	1 000 W	1515		315		
F10	1 200 W	1665		320		
F20	2 000 W	2700		350		
F20	2 500 W	3000		370		

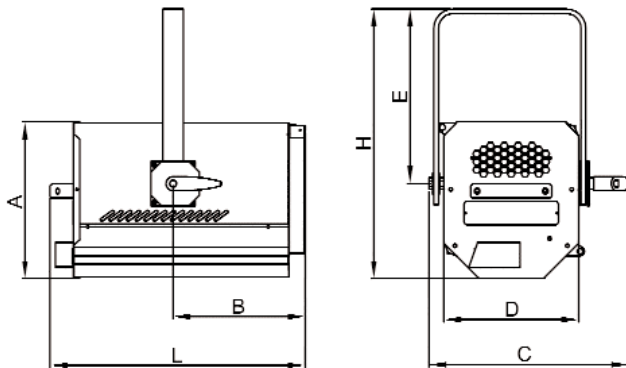
## REFERENCES

PC10 Clear lens	2811	PC20 Clear lens	2861
PCM10 Pebble lens	2834	PCM20 Pebble lens	2862
F10 Fresnel lens	2812	F20 Fresnel lens	2863

## ACCESSORIES

PC10 all models		PC20 all models	
Cardboard filter holder 180 x180 mm	2801	Cardboard filter holder 215 x 215 mm	No
Metal filter holder 180 x180 mm	2802	Metal filter holder 215 x 215 mm	2924
Safety grid 185 x185 mm	2859	Safety grid 215 x 215 mm	2922
Rotary barndoor	2860	Rotary barndoor	2860
Clear lens kit	2960	Clear lens kit	2963
Pebble lens kit	2961	Pebble lens kit	2964
Fresnel lens kit	2962	Fresnel lens kit	2965

## DIMENSIONS



	PC10	PC20
A	204	268
B	155	227
L	375	445
D	204	232
C	345	345
E	300	300
H	402	462

Serenity ® is a registered trademark of RVE Technologie S.A. - All models of Serenity range are deposited by RVE Technologie S.A. or one's of RVE Grup subsidiary company.  
EC qualified according to European applicable directives

ANPR2811\_2861 FT0.28/01/06 RVE Technologie reserves the right to make any variation in design or construction to the equipment described, without prior notification.